

● Parts

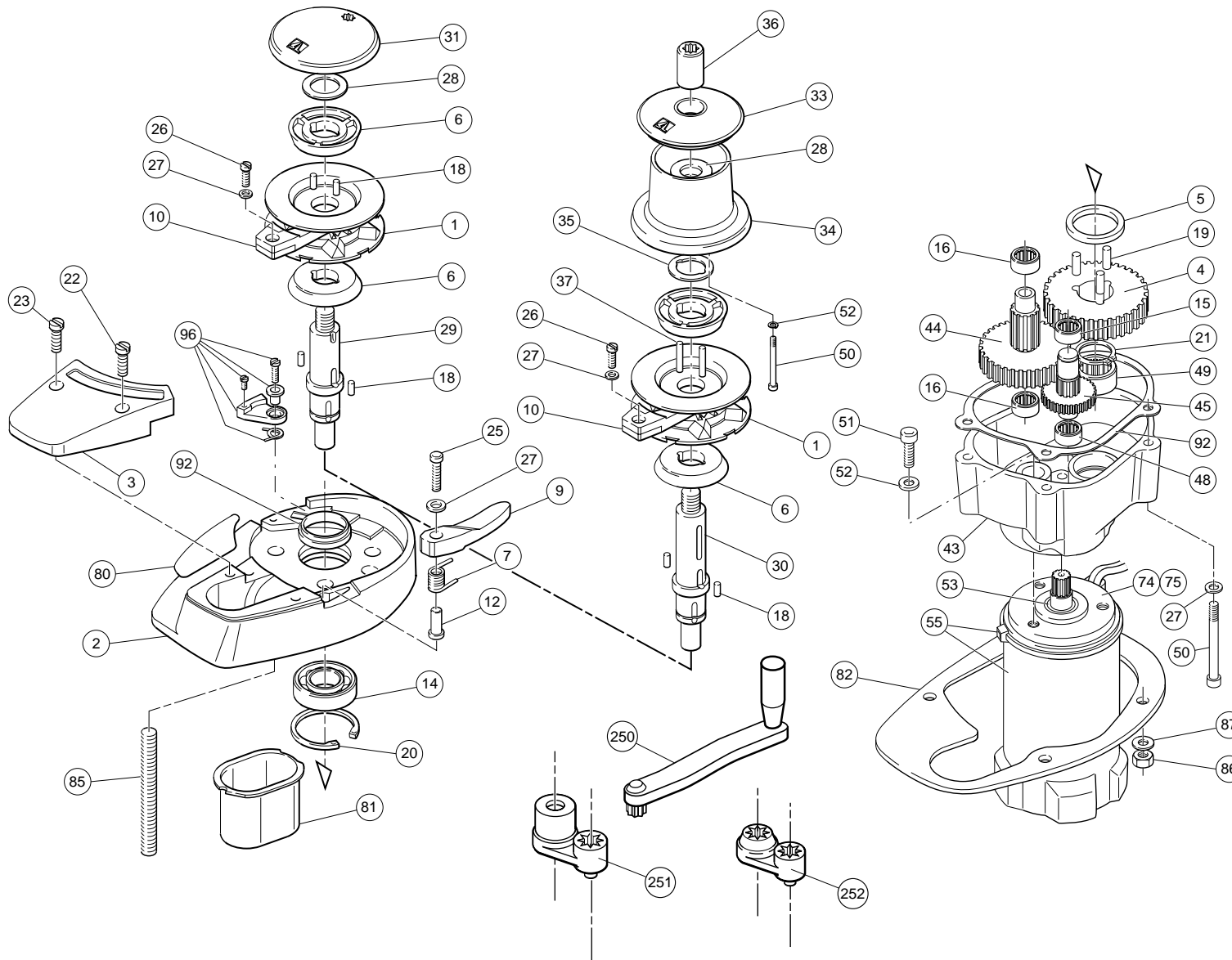
● Bauteile

● Pièces

● Piezas

● Parti

● Delar



Item No.	Part No.	Description	Quantity
1	66000036	Rope/Chain Gipsy	1
2	610-002	Baseplate	1
3	610-003	Baseplate Cover	1
4	610-004	Mainshaft Gear	1
5	610-005	Mainshaft Spacer	1
6	610-006	Clutch Cone	2
7	6043869	Torsion Spring	1
9	6061009	Control Arm	1
10	66000032	Rope/Chain Fleming	1
12	438-083	Control Arm Pin	1
14	445-017	Ball Bearing	1
15	529-015	Drawn Cup Roller Clutch	1
16	6052030	Needle Roller Bearing	2
18	6044518	Drive Roller	2 or 4
19	610-019	Roller	3
20	445-020	Internal Circlip	1
21	531-035	External Circlip	1
22	610-022	Screw	1
23	610-023	Screw	1
24	615-024	Screw	1
25	610-025	Screw	1
26	438-087	Screw	1
27	555-049	Washer	6
28	445-029	Washer	1
29	610-029	Mainshaft, Gipsy Only	1
30	609-030	Mainshaft, Gipsy/Drum	1
31	610-031	Gipsy Cap	1
33	609-033	Drum Cap	1
34	609-034	Drum	1
35	609-035	Drum Spacer	1
36	6044544	Clutch Nut	1
37	447-026	Roller	2 or 0
43	610-043	Gear Case	1
44	610-044	2nd Compound Gear	1
45	610-045	1st Compound Gear	1
48	605-042	Needle Roller Bearing	1
49	615-050	Needle Roller Sleeve	1
50	531-042	Screw	7 or 4
51	615-056	Screw	3
52	526-063	Spring Washer	6 or 3
53	310-003	Motor Oil Seal	1*
55	6061097	Motor Cover Kit	1*
74	6061095	12V Motor & Cover Kit	1
75	6061096	24V Motor & Cover Kit	1
80	610-080	Sprint 1000 Label	1
81	610-081	Chain Pipe Sleeve	1
82	610-082	Clamping Plate	1
85	445-023	Stud	4
86	445-026	Nut	4
87	445-030	Washer	4
92	6061094	Seal & Gasket Kit	1
96	6061598	Gipsy Pawl Kit	1
250	3111200	8" Winch Handle (Optional)	1
250	3111400	10" Winch Handle (Optional)	1
251	6060990	Emergency Recovery Kit, GD	1
252	6061691	Emergency Recovery Kit, G	1

\*Include in item No. 74 and 75

