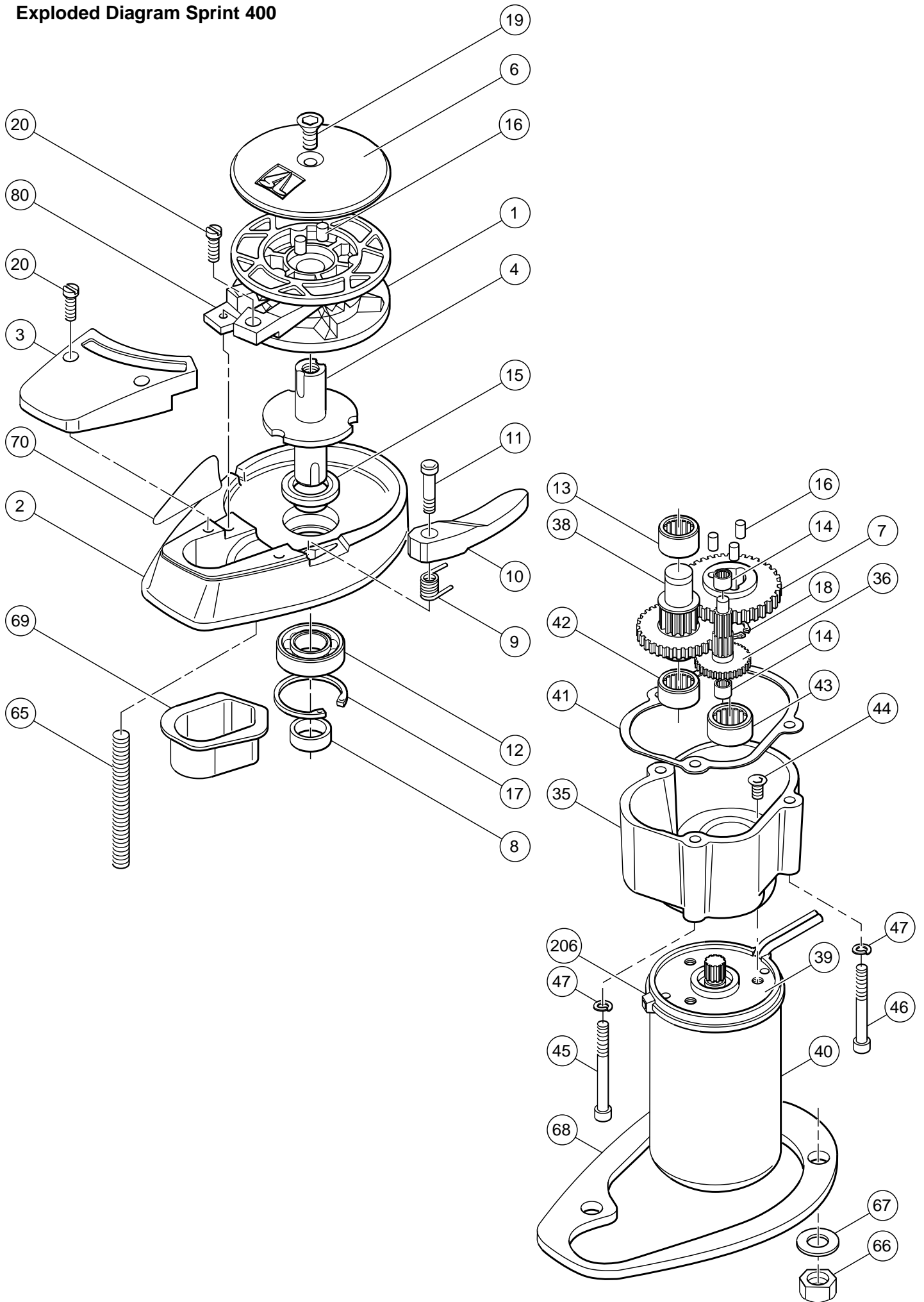


Exploded Diagram Sprint 400



Sprint 400 Parts List

Item No.	Part Number	Description	Qty.
1	60529G6	6 Pocket Rope/Chain Gipsy (RC061)	1
2	605-002	Baseplate	1
3	605-003	Baseplate Cover	1
4	605-004	Mainshaft	1
6	605-006	Gipsy Drive Cap	1
7	605-007	Mainshaft Gear	1
8	605-008	Mainshaft Spacer	1
9	6060509	Torsion Spring	1
10	6060510	Control Arm	1
11	605-011	Control Arm Shoulder Screw	1
12	529-016	Ball Bearing	1
13	529-015	Needle Roller Clutch	1
14	605-014	Needle Roller Bearing	2
15	*	Seal	1
16	6044518	Drive Roller	5
17	529-026	Internal Circlip	1
18	529-027	External Circlip	1
19	529-022	Counter Sunk Socket Screw	1
20	605-020	Cheese Head Screw	3
35	605-035	Gear Case	1
36	6060536	1st Compound Gear	1
38	6060538	Compound Gear Assembly	1
39	*	12v Electric Motor	1
40	*	Motor Cover	1
41	*	Gasket	1
42	605-042	Needle Roller Bearing	1
43	529-014	Needle Roller Bearing	1
44	529-020	Counter Sunk Socket Screw	3
45	605-045	Socket Head Cap Screw	1
46	531-042	Socket Head Cap Screw	2
47	526-063	Lock Washer	3
65	445-023	Mounting Studs	3
66	445-026	Nut	3
67	445-030	Washer	3
68	605-068	Clamping Plate	1
69	605-069	Chain Pipe Sleeve	1
70	604-070	Nameplate	1
80	6060580	Rope/Chain Fleming	1
81	6065081	Chain Only Fleming	1
206	*	Cable Tie	2

* Forms part of a kit listed below

List Number	Description
6060593	Seal and Gasket Kit (15 and 41)
6060592	Below Deck Unit
6060594	Motor Cover Kit (40 and 206)
6060595	Motor and Cable Tie Kit (39 , 40 and 206)